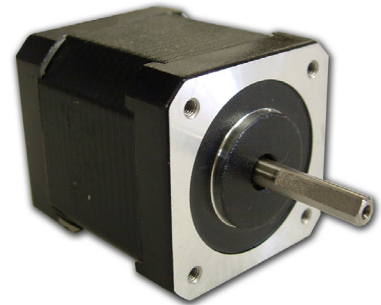


# 17L Series - High Torque Stepper Motors



FEATURES

- **NEMA 17 Frame Size**
- **1.8° Step Angle (0.9° and 3.6° also Available)**
- **High Torque - Up To 77 oz-in**
- **High Step Accuracy and Resolution**
- **Low Vibration and Noise**
- **Can be Customized for**
  - **Winding Current**
  - **Shaft Options**
  - **Cables and Connectors**
- **RoHS Compliant**



DESCRIPTION

The 17L Series High Torque Step Motors offer a great value without sacrificing quality. These motors were designed to offer the highest possible torque while minimizing vibration and audible noise. A board line of motor windings and stack lengths are available off-the-shelf, or the motors can be customized to fit your machine requirements. We can customize the winding to perfectly match your voltage, current, and maximum operating speed for maximum flexibility.

See [Accessories](#) on our website for optional motor adders such as encoders, cables, and connectors. Gearbox options can be found in [Gearboxes](#). See compatible drivers for the 17L Series: [MBC15081](#) and [MBC25081TB](#)

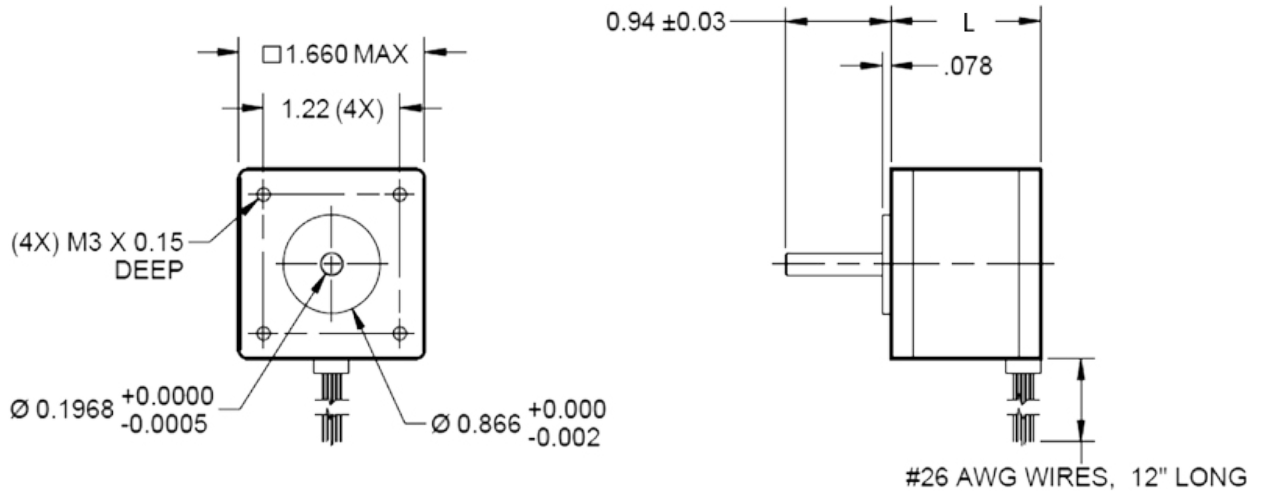
SPECIFICATIONS

Model #	NEMA Size	Bipolar Torque (oz-in)	Bipolar Current (A)	Bipolar Inductance (mH)	Rotor Inertia (oz-in-sec <sup>2</sup> )	Shaft Diameter (in)	# of Lead Wires	Weight (lbs)	"L" Length (in)
17L001D-LW4	17	38	0.70	6	0.0003	0.2	4	0.44	1.22
17L001S-LW4	17	38	0.70	6	0.0003	0.2	4	0.44	1.22
17L102D-LW8	17	63	0.70	18	0.00060	0.2	8	0.58	1.50
17L102S-LW8	17	63	0.70	18	0.00060	0.2	8	0.58	1.50
17L202D-LW8	17	77	0.70	22	0.00070	0.2	8	0.76	1.77
17L202S-LW8	17	77	0.70	22	0.00070	0.2	8	0.76	1.77
17L203S-LW8	17	77	1.10	8	0.00070	0.2	8	0.76	1.77

Notes: The 7<sup>th</sup> character "S" denotes a single shaft, use "D" for double shaft. Double shafts include encoder mounting provisions. Custom cables, connectors and windings are available upon request.

L010071

DIMENSIONS



WIRING INFORMATION

